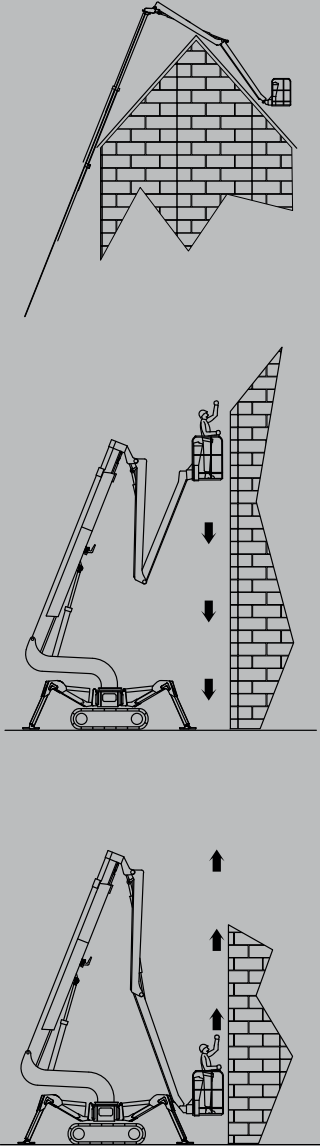
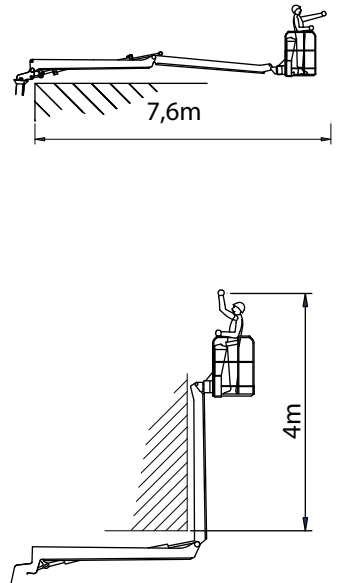
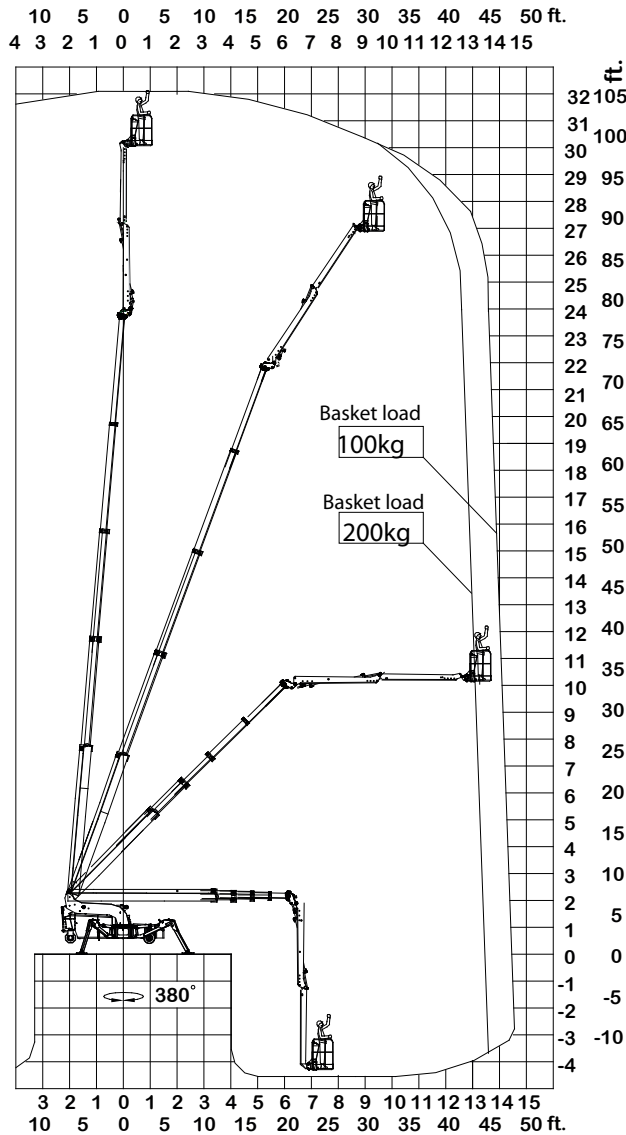


FALCON FS320C *vario*

Reach diagram — Optimized position

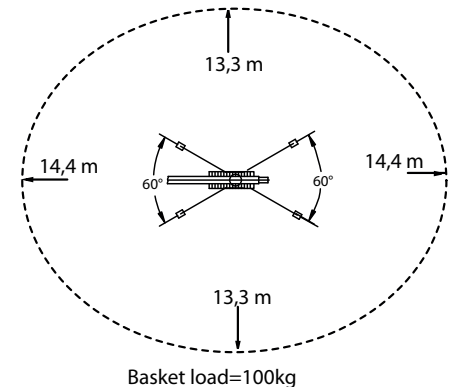
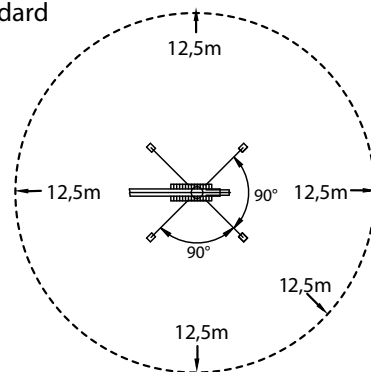


Reach with outriggers in different positions

Standard

Measurements in meters

Optimized



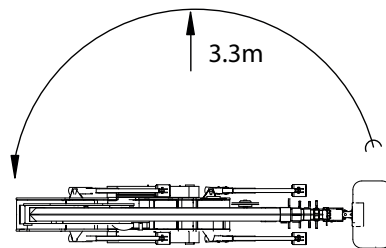
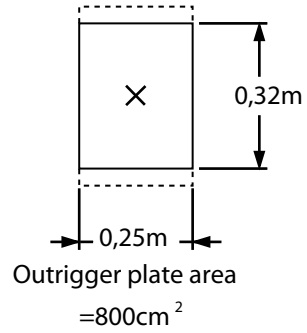
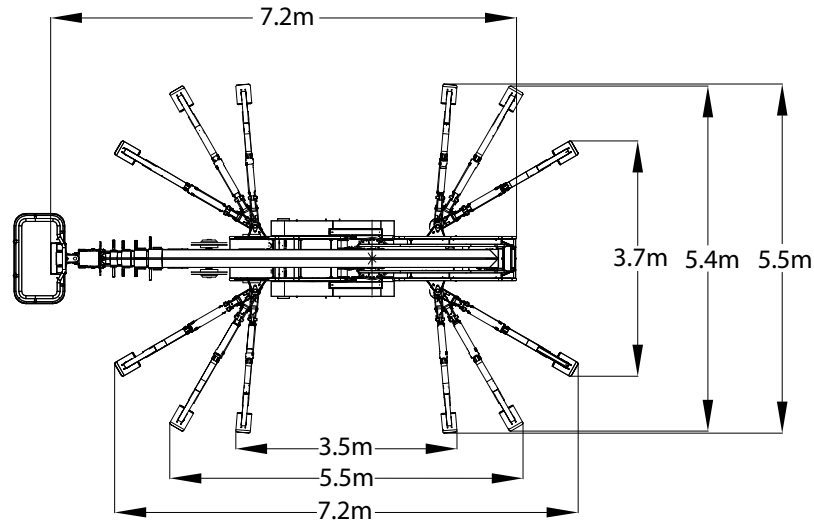
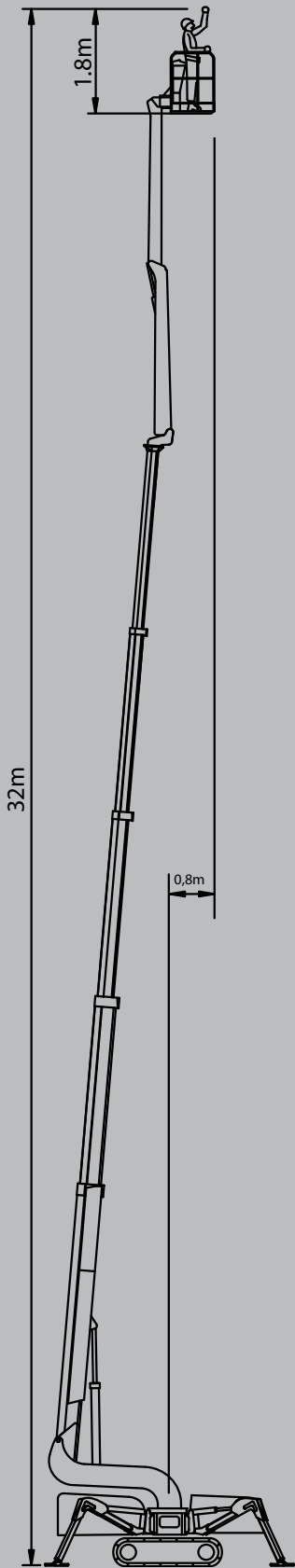
TCA LIFT A/S

Tolderlundsvej 106
DK • 5000 Odense C
Tel.: +45 66 13 11 00

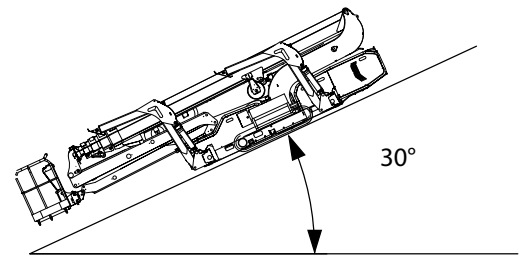
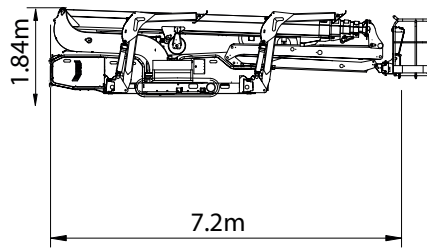
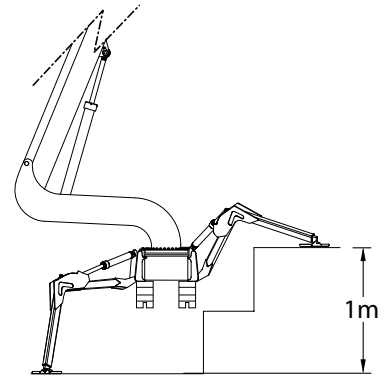
www.tcalift.com

All measurements are intended as guide. Choice of equipment may change the mentioned measurements

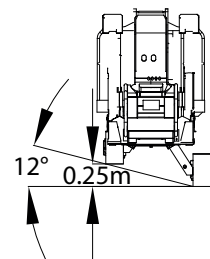
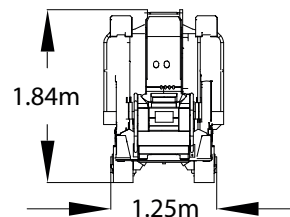
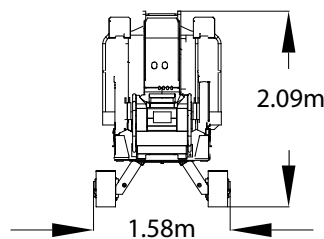
TCA LIFT
Tall Compact Aerial



Turning radius



Slope gradeability



Additional info:

Weight and ground pressure:

Weight with standard equipment

5550 kg

Surface pressure under crawlers (soft surface)

0,80 kg/cm²

Surface pressure under crawlers (hard surface)

1,60 kg/cm²

Max. ground pressure under 1 outrigger plate

3,75 kg/cm²

As all our products are in a constant process of development we reserve the right to alterations